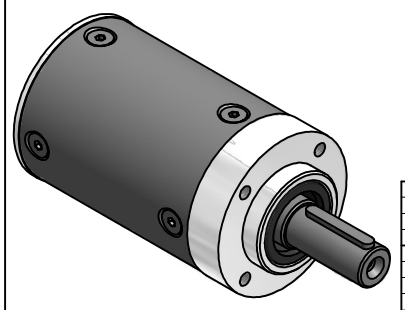
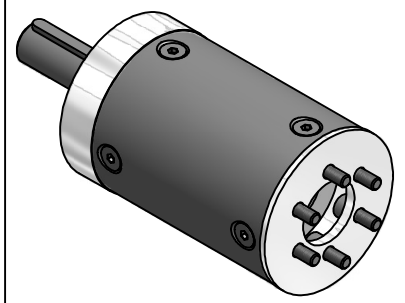
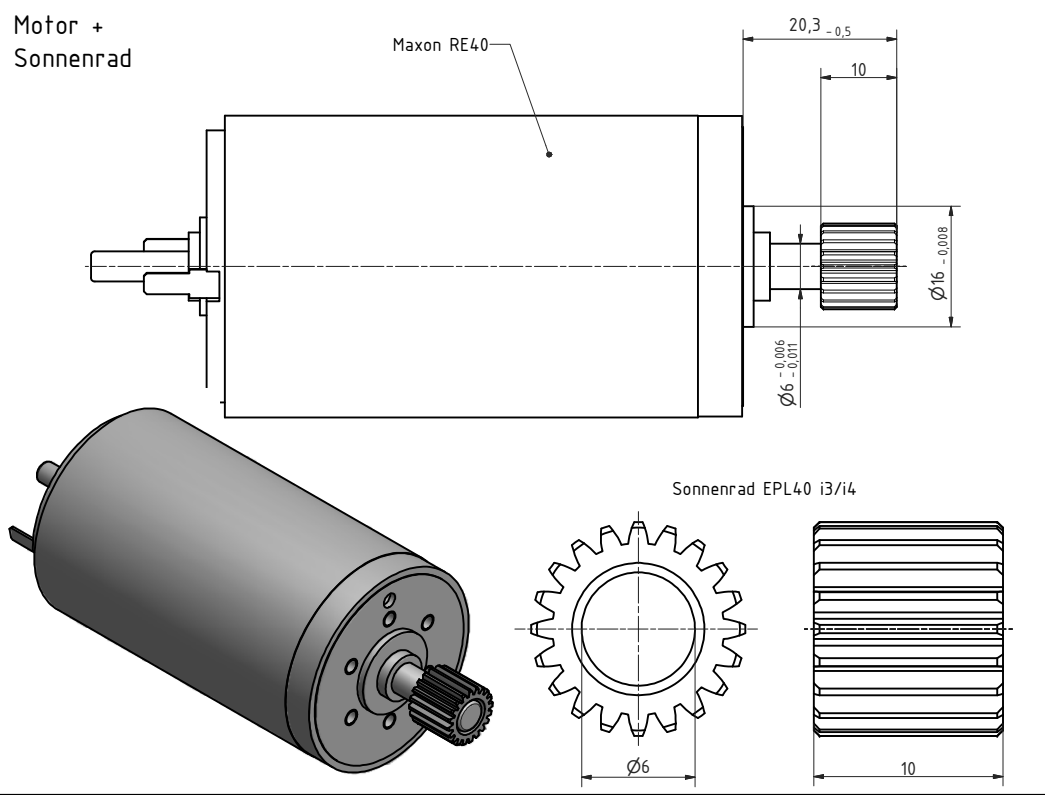


Motor +
Sonnenrad

Maxon RE40



i =	12	16	20
rated torque continuous (Nm)	4	4	4
rated torque intermittent (Nm)	8	8	8

output shaft bearing: grooved ball bearing 2RS
 ● max. radial load: 400N bei n₂=100 1/min / L_h> 10.000h
 ● max. axial load: 300N bei n₂=100 1/min / L_h> 10.000h
 ● reference to shaft center at temp. =30°C
 straight-toothed planetary gearbox
 backlash relating to the output shaft: ≤24 arcmin
 lifetime: > 10.000h
 efficiency: by rated load 94% (depends on ratio)
 lubrication: lifetime-lubrication
 nominal output torque at n₁ = 3000 1/min
 operating temperature: -20°C bis +80°C
 protection system IP 54
 planet wheels: inputside: plastic
 output side: steel

Allgemein- toleranzen ISO 2768-m		Kanten ISO 13715	Maßstab 2:1 (5:1)	(Gewicht)	-
Verwendungsbereich		Datum 20.04.2016	Name H.Offermann	EPL40/2 i12/i16/i20	
		Bearb. Norm.		für Motorwelle Ø6 - Motor: Maxon RE40 MF: ZØ16 TkØ22 4xØ3,4	
		Eisele		80040011	Blatt 1 / 2
Zust.	Änderungen	Datum	Name	Ursprung 40040308	Ersatz für A2

consider mounting instruction
subject to modifications